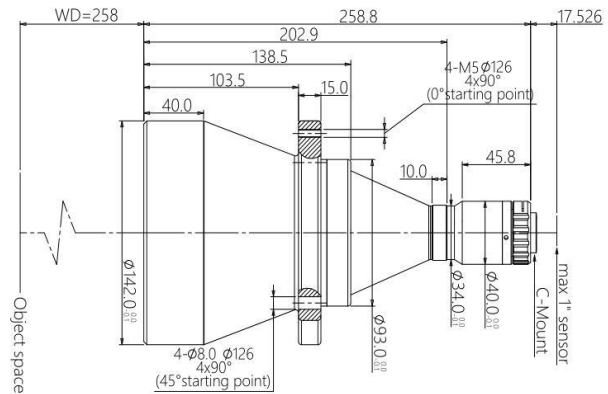


Specifications

CK-SDTCM110-100-AL

High-precision dual telecentric lens



Lens Features

- The ultimate bi-telecentric design with excellent imaging quality
- FOV from 26mm to 300mm, to meet the needs of different markets
- Supports various C-mount industrial cameras from 1/2.5"~1.1"
- Large aperture, high telecentricity, ultra-low distortion, and large depth of field, meeting high-end system requirements

Optical parameters

Field of View (Φ mm)	100
Magnification β(x)	0.166
Working distance (mm)	258±4
CCD size (Φmm)	16.6(1")
F/#	6.5
MTF30(lp/mm)	>140
Depth of field (mm)	±23.2@F16
Image distortion (% max)	<0.1
Telecentricity (° max)	<0.1
Object distance I/O(mm)	534±4

Supporting light source

Parallel lights
SDTCL-100-xW-y
Beam diameter 100mm



Mechanical parameters

Camera interface	C
Overall length of lens (mm)	258.8
Net weight (kg)	3.2

Field of View (mm x mm)

1" PYTHON 5000(12.43x9.83)	74.9x59.2
1" IMX255(14.19x7.51)	85.5x45.2
1" IMX183(13.13x8.76)	79.1x52.8