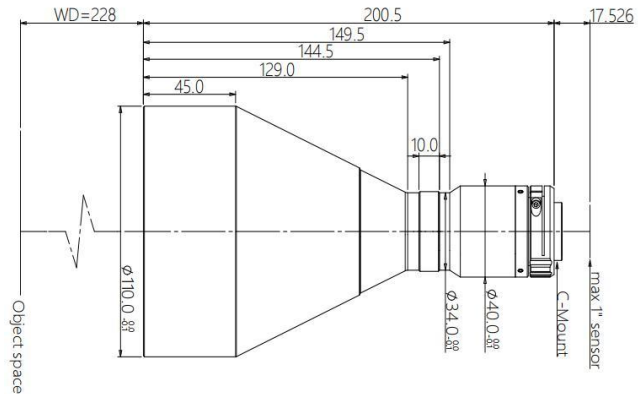


Specifications

CK-SDTCM110-80H-AL

High-precision dual telecentric lens



Lens Features

- The ultimate bi-telecentric design with excellent imaging quality
- FOV from 26mm to 300mm, to meet the needs of different markets
- Supports various C-mount industrial cameras from 1/2.5"~1.1"
- Large aperture, high telecentricity, ultra-low distortion, and large depth of field, meeting high-end system requirements

Optical parameters

Field of View (Φ mm)	80
Magnification $\beta(x)$	0.208
Working distance (mm)	228 \pm 4
CCD size (Φ mm)	16.6(1")
F/#	6.5
MTF30(lp/mm)	>135
Depth of field (mm)	\pm 14.8@F16
Image distortion (% max)	<0.1
Telecentricity ($^{\circ}$ max)	<0.1
Object distance I/O(mm)	446 \pm 4

Supporting light source

Parallel lights

DTCL-80H-xW-y

Beam diameter 80mm



Mechanical parameters

Camera interface	C
Total length of the lens (mm)	200.5
Net weight (kg)	1.9

Field of View (mm x mm)

1" PYTHON 5000(12.43x9.83)	59.8x47.3
1" IMX255(14.19x7.51)	68.2x36.1
1" IMX183(13.13x8.76)	63.1x42.1