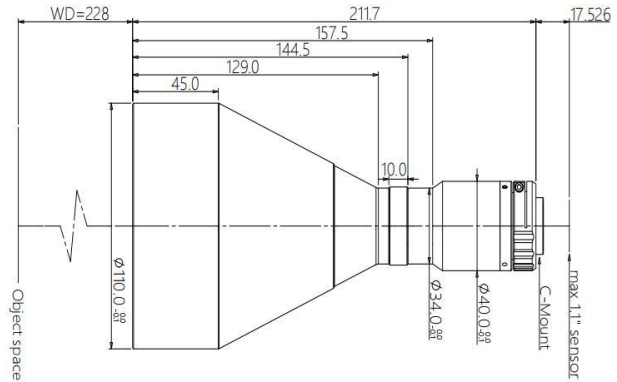


Specifications

CK-SDTCM111-80H-AL

High-precision dual telecentric lens



Lens Features

- The ultimate dual telecentric design, with excellent imaging quality
- FOV ranges from 26mm to 300mm to meet the needs of different markets
- Support various specifications from 1/2.5"~1.1" C interface industrial cameras
- Large aperture, high telecentric, ultra-low distortion, large depth of field, to meet the requirements of high-end systems

Optical parameters

Field of View (Φ mm)	80
Magnification $\beta(x)$	0.230
Working distance (mm)	228 \pm 4
CCD size (Φ mm)	18.4(1.1")
F/#	6.2
MTF30(lp/mm)	>145
Depth of field (mm)	\pm 12.1@F16
Image distortion (% max)	<0.1
Telecentricity ($^{\circ}$ max)	<0.1
Object distance I/O(mm)	457 \pm 4

Supporting light source

Parallel Lights
SDTCL-80H-xW-y
Beam diameter 80mm



Mechanical parameters

Camera interface	C
Overall length of lens (mm)	211.7
Net weight (kg)	2.0

Field of View (mm x mm)

1" IMX183 (13.13x8.76)	57.1x38.1
1.1" IMX253 (14.19x10.38)	61.7x45.1