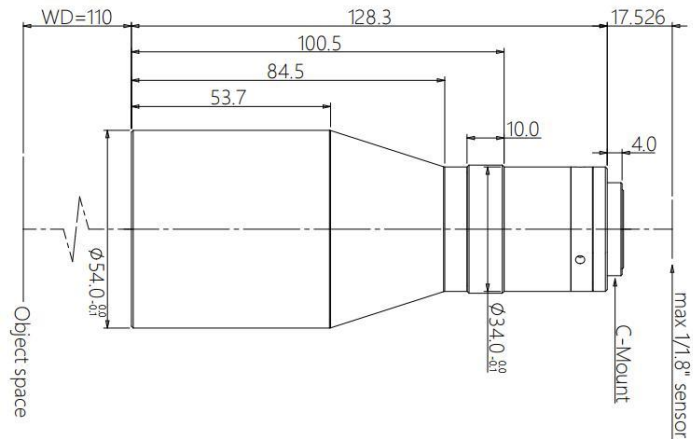


Specifications

CK-SDTCM118-36

High-precision dual telecentric lens



Lens Features

- The ultimate bi-telecentric design with excellent imaging quality
- FOV from 26mm to 300mm, to meet the needs of different markets
- Supports various C-mount industrial cameras from 1/2.5"~1.1"
- Large aperture, high telecentricity, ultra-low distortion, and large depth of field, meeting high-end system requirements

Optical parameters

Field of View (Φ mm)	36
Magnification $\beta(x)$	0.250
Working distance (mm)	110 \pm 2
CCD size (Φ mm)	9.0(1/1.8")
F/#	4.6
MTF30(lp/mm)	>180
Depth of field (mm)	\pm 7.0@F11
Image distortion (% max)	<0.1
Telecentricity ($^{\circ}$ max)	<0.1
Object distance I/O(mm)	256 \pm 2

Supporting light source

Parallel (telecentric) lights
SDTCL-36-xW-y
Beam diameter 36mm



Mechanical parameters

Camera interface	C
Overall length of lens (mm)	128.3
Net weight (kg)	0.4

Field of View (mm x mm)

1/1.8" IMX178 (7.43x4.9)	29.7x19.6
1/1.8" IMX252/265 (7.1x5.3)	28.4x21.2