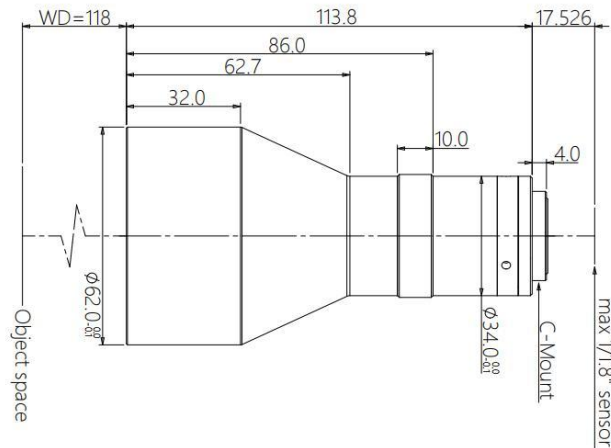


# Specifications

## CK-SDTCM118-42

High-precision dual telecentric lens



### Lens Features

- The ultimate bi-telecentric design with excellent imaging quality
- FOV from 26mm to 300mm, to meet the needs of different markets
- Supports various C-mount industrial cameras from 1/2.5"~1.1"
- Large aperture, high telecentricity, ultra-low distortion, and large depth of field, meeting high-end system requirements

### Optical parameters

Field of View ( $\Phi$ mm)	42
Magnification $\beta(x)$	0.214
Working distance (mm)	118 $\pm$ 3
CCD size ( $\Phi$ mm)	9.0(1/1.8")
F/#	4.6
MTF30(lp/mm)	>195
Depth of field (mm)	$\pm$ 9.6@F11
Image distortion (% max)	<0.1
Telecentricity ( $^{\circ}$ max)	<0.1
Object distance I/O(mm)	249 $\pm$ 3

### Supporting light source

Parallel (telecentric) lights  
SDTCL-42-xW-y  
Beam diameter 42mm



### Mechanical parameters

Camera interface	C
Overall length of lens (mm)	113.8
Net weight (kg)	0.4

### Field of View (mm x mm)

1/1.8" IMX178 (7.43x4.9)	34.7x22.9
1/1.8" IMX252/265 (7.1x5.3)	33.2x24.8