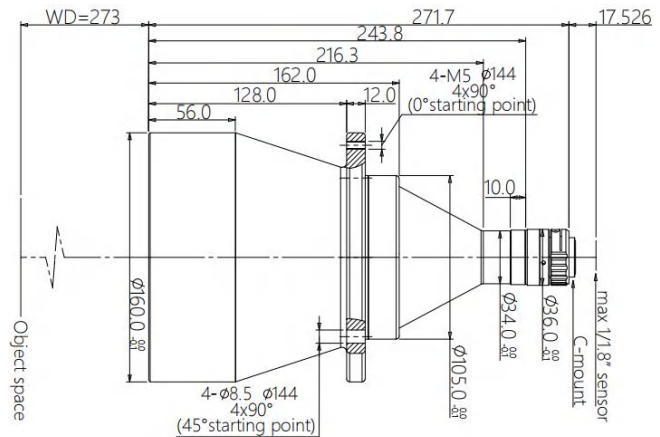


Specifications

CK-SDTCM118-120H-AL

High-precision dual telecentric lens



Lens Features

- The ultimate bi-telecentric design with excellent imaging quality
- FOV from 26mm to 300mm, to meet the needs of different markets
- Supports various C-mount industrial cameras from 1/2.5"~1.1"
- Large aperture, high telecentricity, ultra-low distortion, and large depth of field, meeting high-end system requirements

Optical parameters

Field of View (Φ mm)	120
Magnification β(x)	0.075
Working distance (mm)	273±5
CCD size (Φmm)	9.0(1/1.8")
F/#	4.5
MTF30(lp/mm)	>200
Depth of field (mm)	±78.2@F11
Image distortion (% max)	<0.1
Telecentricity (° max)	<0.1
Object distance I/O(mm)	562±5

Supporting light source

Parallel (telecentric) lights
SDTCL-120H-xW-y
Beam diameter 120mm



Mechanical parameters

Camera interface	C
Overall length of lens (mm)	271.7
Net weight (kg)	4.2

Field of View (mm x mm)

1/1.8" IMX178 (7.43x4.9)	99.1x65.3
1/1.8" IMX252/265 (7.1x5.3)	94.7x70.7