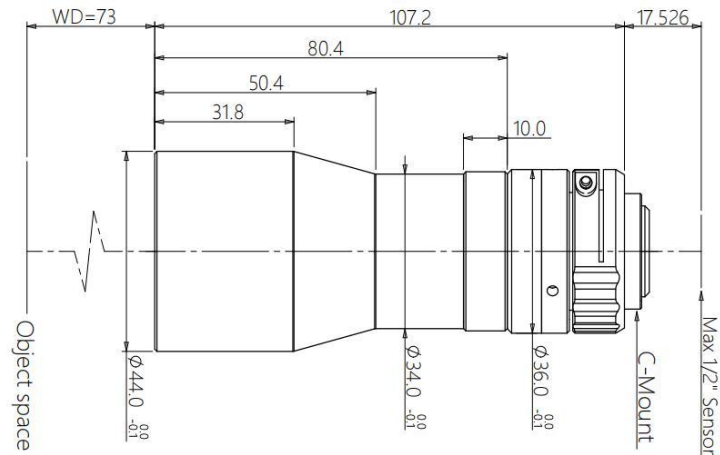


# Specifications

## CK-SDTCM120-26-AL

High-precision dual telecentric lens



### Lens Features

- The ultimate bi-telecentric design with excellent imaging quality
- FOV from 26mm to 300mm, to meet the needs of different markets
- Supports various C-mount industrial cameras from 1/2.5"~1.1"
- Large aperture, high telecentricity, ultra-low distortion, and large depth of field, meeting high-end system requirements

### Optical parameters

Field of View ( $\Phi$ mm)	26
Magnification $\beta(x)$	0.308
Working distance (mm)	73 $\pm$ 1
CCD size ( $\Phi$ mm)	8.0(1/2")
F/#	4.2
MTF30(lp/mm)	>175
Depth of field (mm)	$\pm$ 4.6@F11
Image distortion (% max)	<0.1
Telecentricity ( $^{\circ}$ max)	<0.1
Object distance I/O(mm)	198 $\pm$ 1

### Supporting light source

Parallel (telecentric) lights  
SDTCL-26-xW-y  
Beam diameter 26mm



### Mechanical parameters

Camera interface	C
Overall length of lens (mm)	107.2
Net weight (kg)	0.3

### Field of View (mm x mm)

1/2.5" 9P001/31 (5.7x4.28)	18.5x13.9
1/2.3" 9J003 (6.44x4.62)	20.9x15.0