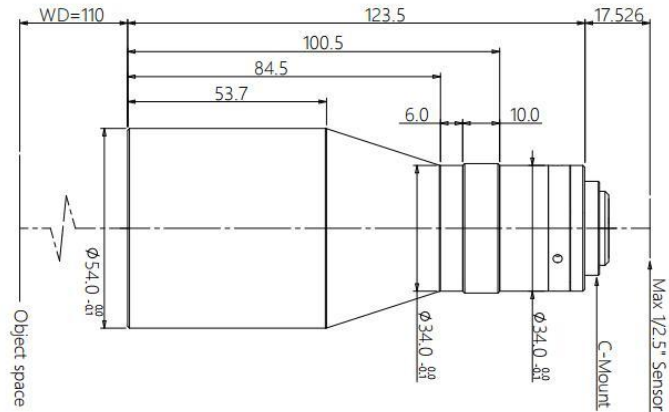


# Specifications

## CK-SDTCM125-36

High-precision dual telecentric lens



### Lens Features

- The ultimate bi-telecentric design with excellent imaging quality
- FOV from 26mm to 300mm, to meet the needs of different markets
- Supports various C-mount industrial cameras from 1/2.5"~1.1"
- Large aperture, high telecentricity, ultra-low distortion, and large depth of field, meeting high-end system requirements

### Optical parameters

Field of View ( $\Phi$ mm)	36
Magnification $\beta(x)$	0.200
Working distance (mm)	110 $\pm$ 2
CCD size ( $\Phi$ mm)	7.2(1/2.5")
F/#	4.2
MTF30(lp/mm)	>190
Depth of field (mm)	$\pm$ 11.0@F11
Image distortion (% max)	<0.1
Telecentricity ( $^{\circ}$ max)	<0.1
Object distance I/O(mm)	251 $\pm$ 2

### Supporting light source

Parallel (telecentric) lights  
SDTCL-36-xW-y  
Beam diameter 36mm



### Mechanical parameters

Camera interface	C
Overall length of lens (mm)	123.5
Net weight (kg)	0.4

### Field of View (mm x mm)

1/3" AR130/RJ33 (4.8x3.6)	24.0x18
1/2.5" 9P001/31 (5.7x4.28)	28.5x21.