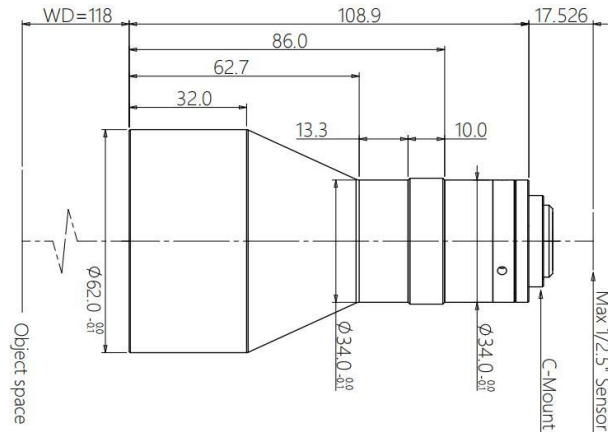


Specifications

CK-SDTCM125-42-AL

High-precision dual telecentric lens



Lens Features

- The ultimate bi-telecentric design with excellent imaging quality
- FOV from 26mm to 300mm, to meet the needs of different markets
- Supports various C-mount industrial cameras from 1/2.5"~1.1"
- Large aperture, high telecentricity, ultra-low distortion, and large depth of field, meeting high-end system requirements

Optical parameters

Field of View (Φ mm)	42
Magnification $\beta(x)$	0.171
Working distance (mm)	118 \pm 3
CCD size (Φ mm)	7.2(1/2.5")
F/#	4.2
MTF30(lp/mm)	>200
Depth of field (mm)	\pm 15.0@F11
Image distortion (% max)	<0.1
Telecentricity ($^{\circ}$ max)	<0.1
Object distance I/O(mm)	244 \pm 3

Supporting light source

Parallel (telecentric) lights
SDTCL-42-xW-y
Beam diameter 42mm



Mechanical parameters

Camera interface	C
Overall length of lens (mm)	108.9
Net weight (kg)	0.4

Field of View (mm x mm)

1/3" AR130/RJ33 (4.8x3.6)	28.1x21.1
1/2.5" 9P001/31 (5.7x4.28)	33.3x25.0