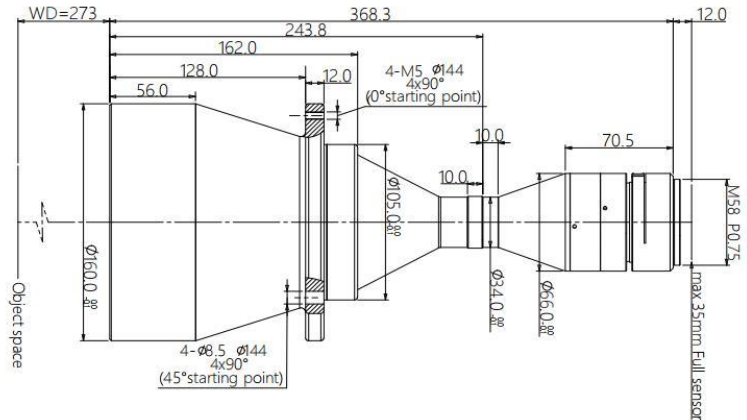


Specifications

CK-SDTCM210-120H-M58-AL

High-precision dual telecentric lens



Lens Features

- The ultimate bi-telecentric design with excellent imaging quality
- FOV from 26mm to 300mm, to meet the needs of different markets
- Supports various M/F interface industrial cameras from 4/3"~59mm
- A variety of combinations, and can achieve double rate, built-in coaxial light and other functions
- Large aperture, high telecentricity, ultra-low distortion, and large depth of field, meeting high-end system requirements

Optical parameters

Field of View (Φ mm)	120
Magnification β (x)	0.275
Working distance (mm)	273±5
CCD size (Φ mm)	33(2")
F/#	7.8
MTF30(lp/mm)	>115
Depth of field (mm)	±8.5@F16
Image distortion (% max)	<0.1
Telecentricity (° max)	<0.1
Object distance I/O(mm)	653±5

Supporting light source

SDTCL-120H-xW-y
Parallel (telecentric) lights
Beam diameter 120mm



Mechanical parameters

Camera Interface	M58
Length of lens (mm)	368.3
Net weight (kg)	4.8

Field of View (mm x mm)

2" DALSA 12M (24.58x18.43)	89.4x67.0
2" PYTHON 25K (23.04x23.04)	83.8x83.8