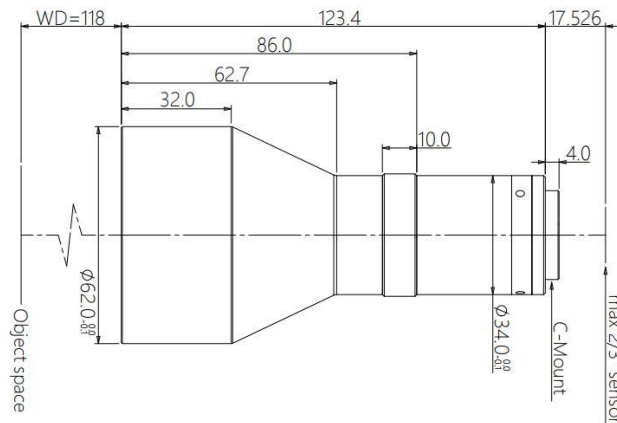


# Specifications

## CK-SDTCM230-42

High-precision dual telecentric lens



### Lens Features

- The ultimate bi-telecentric design with excellent imaging quality
- FOV from 26mm to 300mm, to meet the needs of different markets
- Supports various C-mount industrial cameras from 1/2.5"~1.1"
- Large aperture, high telecentricity, ultra-low distortion, and large depth of field, meeting high-end system requirements

### Optical parameters

Field of View (Φ mm)	42
Magnification β (x)	0.271
Working distance (mm)	118±3
CCD size (Φ mm)	11.4(2/3")
F/#	4.9
MTF30(lp/mm)	>185
Depth of field (mm)	±6.0@F11
Image distortion (% max)	<0.1
Telecentricity (° max)	<0.1
Object distance I/O(mm)	259±3

### Supporting light source

Parallel (telecentric) lights  
SDTCL-42-xW-y  
Beam diameter 42mm



### Mechanical parameters

Camera Interface	C
Length of lens (mm)	123.4
Net weight (kg)	0.4

### Field of View (mm x mm)

1/1.8" EV76C570 (7.2x5.4)	26.6x19.9
1/1.7" IMX226 (7.5x5.6)	27.7x20.7
2/3" IMX250/264 (8.45x7.1)	31.2x26.2