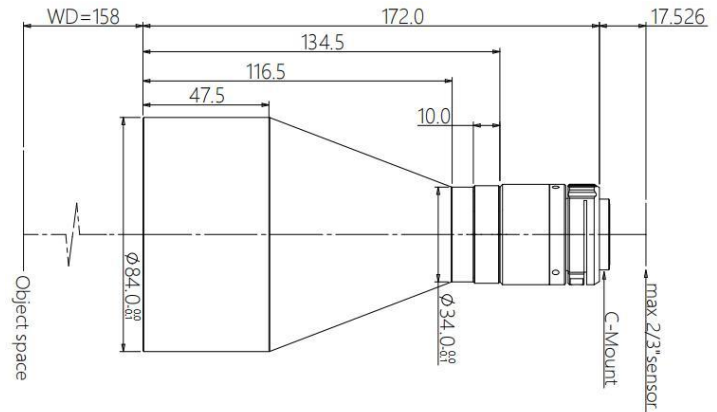


Specifications

CK-SDTCM230-64H-AL

High-precision dual telecentric lens



Lens Features

- The ultimate bi-telecentric design with excellent imaging quality
- FOV from 26mm to 300mm, to meet the needs of different markets
- Supports various C-mount industrial cameras from 1/2.5"~1.1"
- Large aperture, high telecentricity, ultra-low distortion, and large depth of field, meeting high-end system requirements

Optical parameters

Field of View (Φ mm)	64
Magnification β(x)	0.178
Working distance (mm)	158±3
CCD size (Φmm)	11.4(2/3")
F/#	4.9
MTF30(lp/mm)	>180
Depth of field (mm)	±13.9@F11
Image distortion (% max)	<0.1
Telecentricity (° max)	<0.1
Object distance I/O(mm)	348±3

Supporting light source

Parallel (telecentric) lights
SDTCL-64H-xW-y
Beam diameter 64mm



Mechanical parameters

Camera interface	C
Overall length of lens (mm)	172.0
Net weight (kg)	0.8

Field of View (mm x mm)

1/1.8" EV76C570 (7.2x5.4)	40.4x30.3
1/1.7" IMX226 (7.5x5.6)	42.1x31.5
2/3" IMX250/264 (8.45x7.1)	47.5x39.9