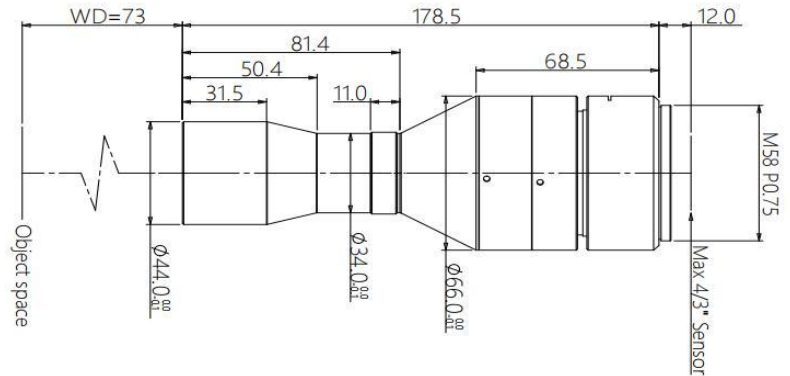


Specifications

CK-SDTCM430-26-M58-AL

High-precision dual telecentric lens



Lens Features

- The ultimate bi-telecentric design with excellent imaging quality
- FOV from 26mm to 300mm, to meet the needs of different markets
- Supports various M/F interface industrial cameras from 4/3"~59mm
- A variety of combinations, and can achieve double rate, built-in coaxial light and other functions
- Large aperture, high telecentricity, ultra-low distortion, and large depth of field, meeting high-end system requirements

Optical parameters

Field of View (Φ mm)	26
Magnification β (x)	0.923
Working distance (mm)	73 \pm 1
CCD size (Φ mm)	24(4/3")
F/#	12.5
MTF30(lp/mm)	>65
Depth of field (mm)	$\pm 0.9@F20$
Image distortion (% max)	<0.1
Telecentricity ($^{\circ}$ max)	<0.1
Object distance I/O(mm)	264 \pm 1

Supporting light source

Parallel (telecentric) lights
SDTCL-26-xW-y
Beam diameter 26mm



Mechanical parameters

Camera interface	M58
Overall length of lens (mm)	178.5
Net weight (kg)	0.8

Field of View (mm x mm)

4/3" KEYENCE 21M (17.86x14.32)	19.3x15.5
4/3" PYTHON 12K (18.43x13.82)	20.0x15.0
4/3" CMV8000 (18.48x13.73)	20.0x14.9