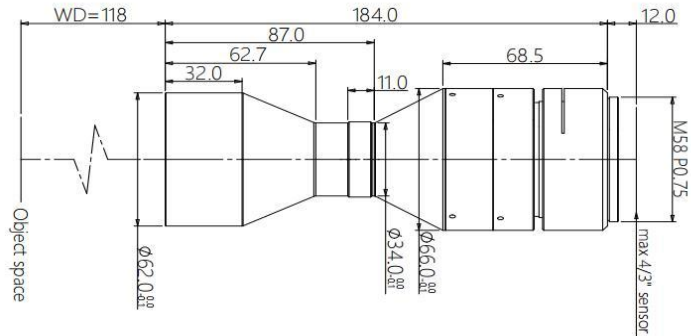


Specifications

CK-SDTCM430-42-M58-AL

High-precision dual telecentric lens



Lens Features

- The ultimate bi-telecentric design with excellent imaging quality
- FOV from 26mm to 300mm, to meet the needs of different markets
- Supports various M/F interface industrial cameras from 4/3"~59mm
- A variety of combinations, and can achieve double rate, built-in coaxial light and other functions
- Large aperture, high telecentricity, ultra-low distortion, and large depth of field, meeting high-end system requirements

Optical parameters

Field of View (Φ mm)	42
Magnification β (x)	0.571
Working distance (mm)	118 \pm 3
CCD size (Φ mm)	24(4/3")
F/#	9.4
MTF30(lp/mm)	>90
Depth of field (mm)	\pm 2.4@F20
Image distortion (% max)	<0.1
Telecentricity ($^{\circ}$ max)	<0.1
Object distance I/O(mm)	314 \pm 3

Supporting light source

Parallel (telecentric) lights
SDTCL-42-xW-y
Beam diameter 42mm



Mechanical parameters

Camera interface	M58
Overall length of lens (mm)	184.0
Net weight (kg)	0.9

Field of View (mm x mm)

4/3" KEYENCE 21M (17.86x14.32)	31.3x25.1
4/3" PYTHON 12K (18.43x13.82)	32.3x24.2
4/3" CMV8000 (18.48x13.73)	32.4x24.0