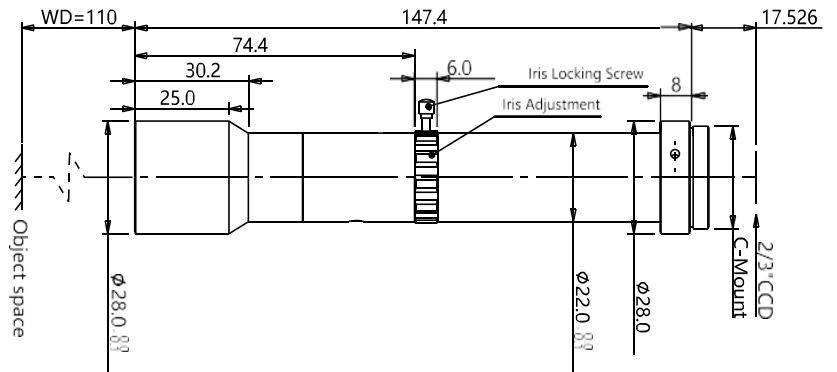


# CK-SWWH20-110AT-G

## Specification

### Megapixel telecentric lens



### Features

- A full range of object-oriented telecentric fixed magnification lenses, with a variety of working distances/magnification / CCD to choose
- Perfect imaging quality, support megapixel digital cameras
- High contrast, low distortion, ultra-clear, built-in coaxial lighting
- Equipped with variable light bar specifications to achieve the best balance between resolution and depth of field
- Widely used in high-precision visual positioning and other occasions

### Optical parameters

Magnification $\beta(x)$	2.0
Working distance (mm)	110 $\pm$ 2
Image Square Maximum CCD Size ( $\Phi$ mm)	11(2/3")
F/#	18.2
Telecentricity ( $^{\circ}$ max)	<0.1
Image square distortion (%)	<0.1
Numerical aperture NA	0.0536
Object resolution ( $\mu$ m)	6.3
Object depth of field (mm)	0.4

### Mechanical parameters

Camera interface	C
Total lens length (mm)	47.4
Whether coaxial light / Dimmable bar	No/Yes

### Viewable range (mm x mm)

1/2"(6.4x4.8)	3.2x2.4
1/1.8"(7.13x5.37)	3.6x2.7
2/3"(8.8x6.6)	4.4x3.3