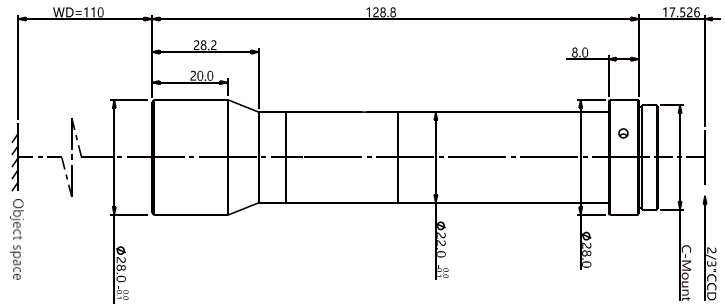


CK-SWWH40-110AT

Specification

Megapixel telecentric lens



Features

- A full range of object-oriented telecentric fixed magnification lenses, with a variety of working distances/magnification / CCD to choose
- Perfect imaging quality, support megapixel digital cameras
- High contrast, low distortion, ultra-clear, built-in coaxial lighting
- Equipped with variable light bar specifications to achieve the best balance between resolution and depth of field
- Widely used in high-precision visual positioning and other occasions

Optical parameters

Magnification $\beta(x)$	4.0
Working distance (mm)	110±2
Image Square Maximum CCD Size (Φ mm)	11(2/3")
F/#	25.6
Telecentricity ($^{\circ}$ max)	<0.1
Image square distortion (%)	<0.1
Numerical aperture NA	0.075
Object resolution (μ m)	4.5
Object depth of field (mm)	0.1

Mechanical parameters

Camera interface	C
Total lens length (mm)	128.8
Whether coaxial light / Dimmable bar	No/No

Viewable range (mm x mm)

1/2"(6.4x4.8)	1.6x1.2
1/1.8"(7.13x5.37)	1.8x1.3
2/3"(8.8x6.6)	2.2x1.7