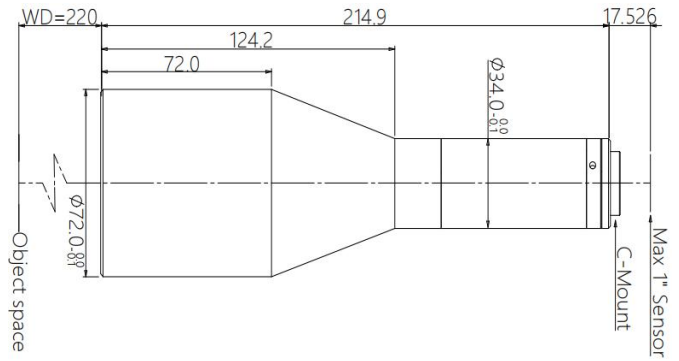


# CK-SWWK0345-220-110

## Specification

High-performance object-oriented telecentric lens



### Features

- Support high-resolution object-oriented telecentric lenses for 5M~20M pixel area scan cameras;
- A variety of low magnification designs to adapt to application scenarios with a larger field of view;
- High definition, low distortion, high telecentric, especially suitable for high-precision AOI and positioning applications;
- Long working distance specifications facilitate lighting and machine component layout;
- Built-in coaxial optical specifications are particularly suitable for wafers, glass devices, and display devices;
- Can be quickly customized to meet different camera specifications, as well as magnification, working distance, and depth of field requirements.

### Optical parameters

Magnification $\beta(x)$	0.345
Working distance (mm)	220±3
CCD size (Φmm)	16.0(1")
F/#	8
MTF30 (lp/mm)	>115
Object Depth of Field DoF(mm)	±2.7@F8
Image distortion (% max)	<0.1
Telecentricity (° max)	<0.1

### Mechanical parameters

Camera interface	C
Overall lens length (mm)	214.9
Whether the coaxial light	No

### Viewable range (mm x mm)

1" PYTHON 5000 (12.43x9.83)	36.0x28.5
1" IMX255 (14.19x7.51)	41.1x21.8
1" IMX183 (13.13x8.76)	38.1x25.4