

# CK-REN2X-2622M/CI-4GS

## 26 MP CMOS GigE Area Scan Camera



### Features

- Gamma, Black Level, Digital Shift, Sharpness, Static Defect Correction
- Binning, Decimation
- Color models support Light Source Presett, Color Transformation Control, Saturation and White Balance
- Monochrome models support Noise Reduction
- Timer, Counter, LUTs and User Set Control

### Applications

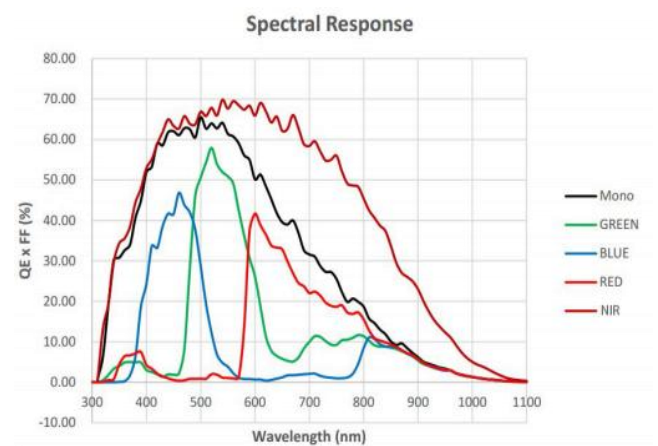
Suitable for machine vision applications such as industrial inspection, medical, scientific research, education and so on.

### I/O Interface



Pin	Definition	Description
1	Line 0+	Opto-isolated input +
2	GND	PWR GND & GPIO GND
3	Line 0-	Opto-isolated input -
4	POWER_IN	Camera external power, +12V DC~+24V DC
5	Line 2	GPIO input/output
6	Line 3	GPIO input/output
7	Line 1-	Opto-isolated output -
8	Line 1+	Opto-isolated output +

### Spectral Response



### Models

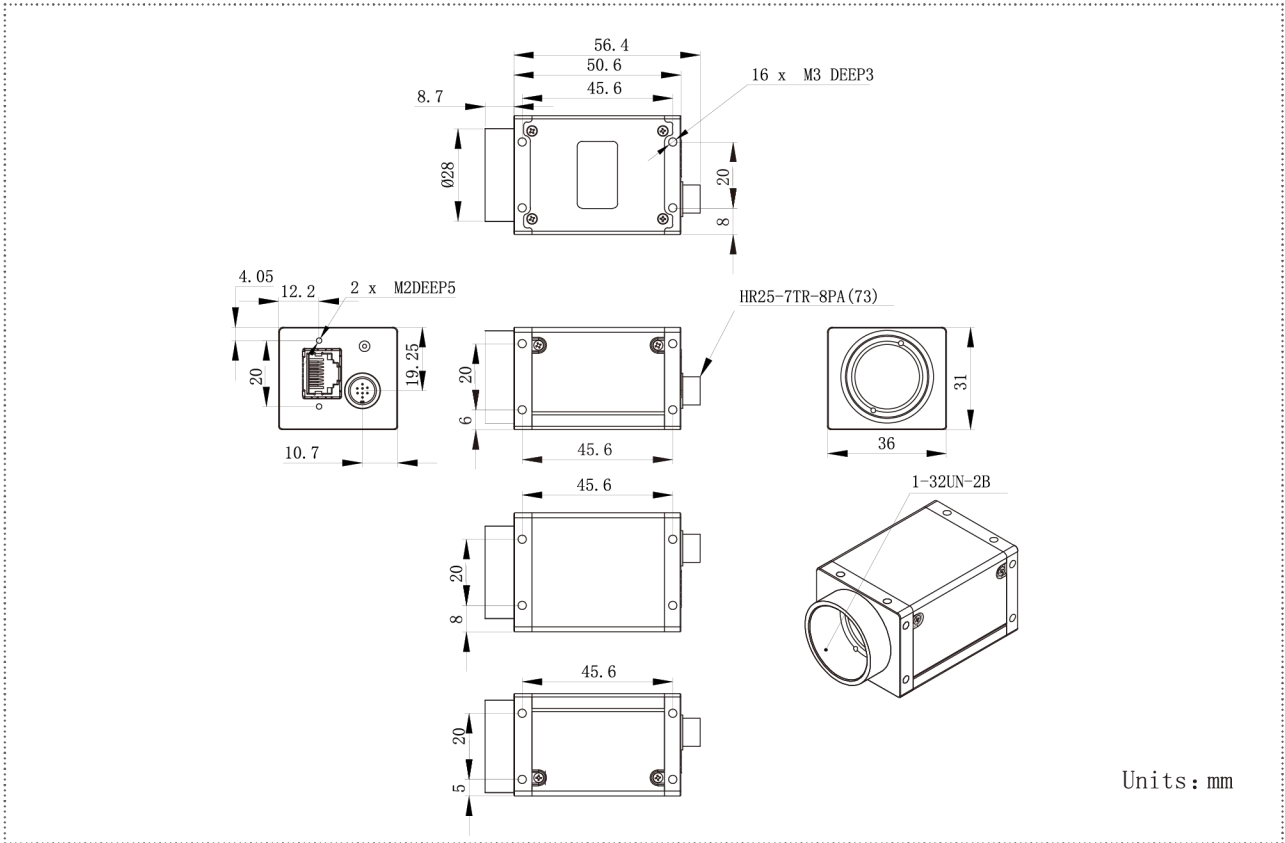
Mono: CK-REN2X-2622MI-4GS  
Color: CK-REN2X-2622CI-4GS

## Specifications

Model	CK-REN2X-2622CI-4GS	CK-REN2X-2622MI-4GS
Resolution	5120(H) × 5120(V)	
Sensor	Gpixel GMAX0505 Global shutter CMOS	
Sensor Format	1.1"	
Pixel Size	2.5μm × 2.5μm	
Frame Rate	4.5 fps	
ADC	12 bit	
Pixel Bit Depth	8 bit, 12 bit	
Mono/Color	Color	Mono
Pixel Formats	Bayer GB8 / Bayer GB12	Mono8 / Mono12
SNR	35.65 dB	35.93 dB
Exposure Time	Standard: 14μs~1s, Actual Steps: 1μs	
Gain	0dB~16dB, Default: 0dB, Steps: 0.1dB	
Binning	1× 1, 1×2, 1×4, 2× 1, 2×2, 2×4, 4× 1, 4×2, 4×4	
Decimation	Horizontal FPGA, Vertical Sensor: 1× 1, 1×2, 1×4, 2× 1, 2×2, 2×4, 4× 1, 4×2, 4×4	
Synchronization	Hardware trigger, software trigger	
Acquisition Control	Single frame, Continuous, Software trigger, Hardware trigger	
Reverse X/Y	Reverse X/Y	
I/O Interface	1 input and 1 output with opto-isolated, 2 programmable GPIOs	
Data Interface	GigE PoE	
Power Supply	PoE (Power over Ethernet, IEEE802.3af compliant) or 12VDC-10% ~ 24VDC+10% supplied via the camera's 8-pin Hirose connector	
Typical Power	3.64 W @ 12 VDC, 4.36 W @ PoE	
Operating Temp.	0°C ~ +45°C	
Storage Temp.	-20°C ~ +70°C	
Operating Humidity	10% ~ 80%	
Lens Mount	C / CS	
Dimensions	36(W) × 31(H) × 50.6(L) mm (without lens adapter or connectors)	
Weight	75 g	
Software	CKVisionBuilder or third-party software meeting with GigE Vision Protocol	
OS	32bit / 64bit Windows, Linux, Mac OS	



# Technical Drawing



Units: mm

