

CK-RNE2-1070M/CI-10RS

10 MP CMOS GigE Area Scan Camera



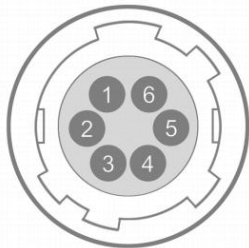
Features

- Trigger mode: Frame Start
- Support Binning, Decimation, Black Level and Digital Shift
- Adjustable Gamma and Sharpness for optimizing the brightness and sharpness of images
- Timer, Counter, LUTs, Noise Reduction and User Set Control
- Support Remove Parameter Limit to expand the range of exposure, gain, white balance, and so on
- 16KB data storage area for saving algorithm coefficients and parameter configuration

Applications

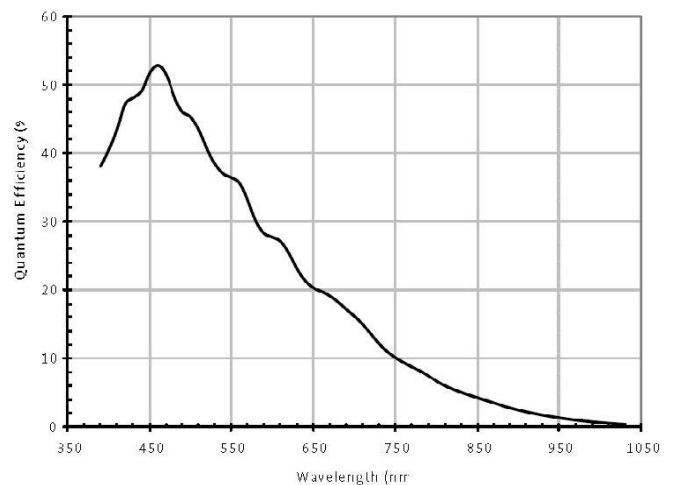
Suitable for machine vision applications such as industrial inspection, medical, scientific research, education and so on.

I/O Interface



Pin	Definition	Description
1	POWER_IN	Camera external power, +12V DC~+24V DC
2	Line0+	Opto-isolated input +
3	Line2	GPIO input/output
4	Line1+	Opto-isolated output +
5	Line0-/Line1-	Line0-: Opto-isolated input - Line1-: Opto-isolated output -
6	GND	PWR GND & GPIO GND

Spectral Response



Models

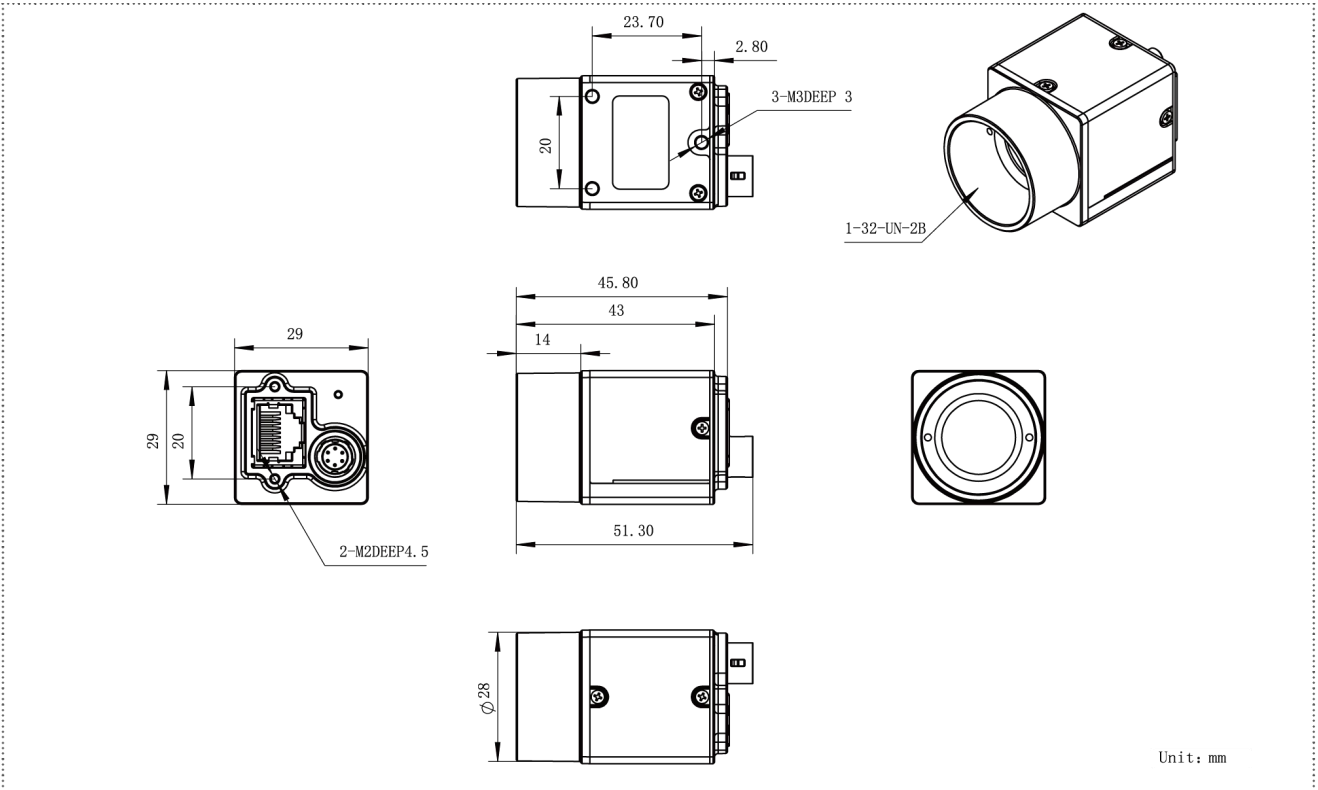
Mono: CK-RNE2-1070MI-10RS
Color: CK-RNE2-1070CI-10RS

Specifications

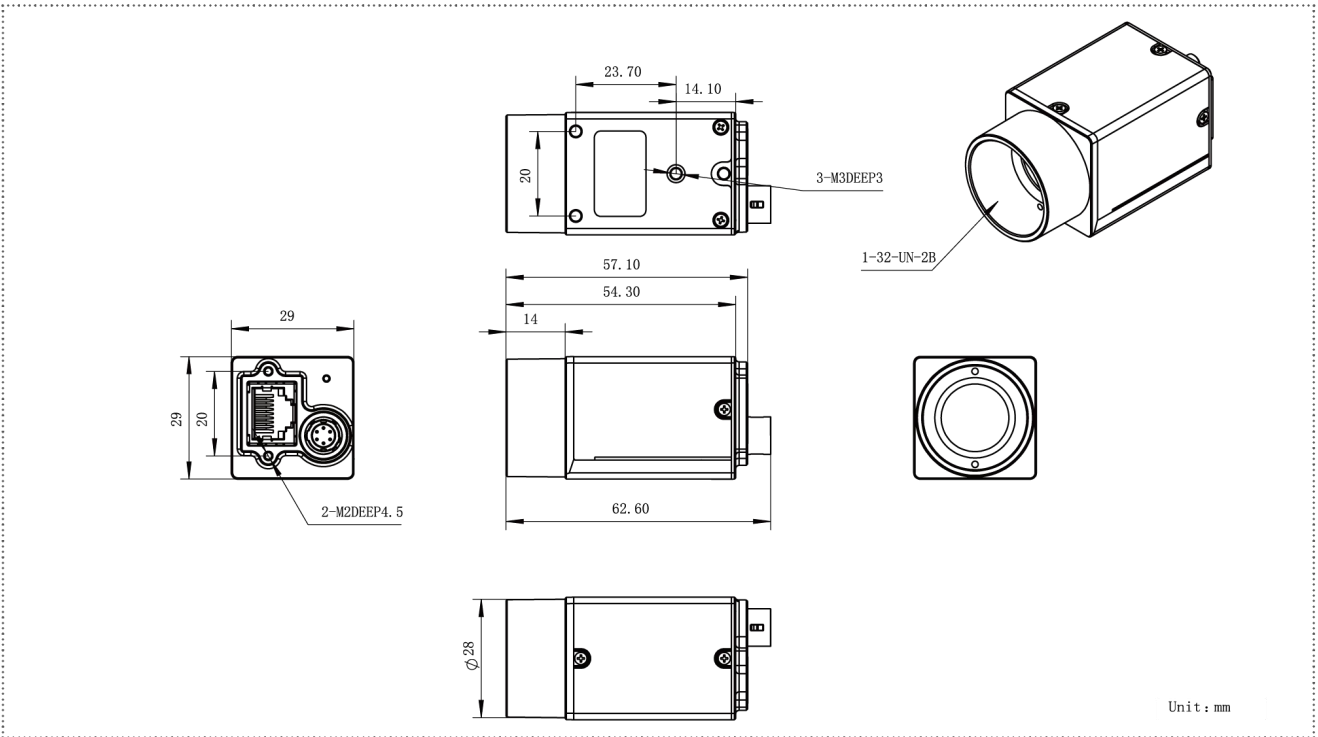
Model	CK-RNE2-1070CI-10RS	CK-RNE2-1070MI-10RS
Resolution	3840(H) × 2748(V)	
Sensor	Onsemi MT9J003 Rolling shutter CMOS	
Sensor Format	1/2.3"	
Pixel Size	1.67μm × 1.67μm	
Frame Rate	10 fps	
ADC	12 bit	
Pixel Bit Depth	8 bit, 12 bit	
Mono/Color	Mono	
Pixel Formats	Mono8 / Mono12	
SNR	36.12 dB	
Exposure Time	Standard: 42μs ~ 1s, Actual Steps: 1 row period	
Gain	0dB ~ 25.9dB; Default: 0dB, Steps: 0.1dB	
Binning	1×1, 1×2, 2×1, 2×2	
Decimation	FPGA: 1×1, 1×2, 2×1, 2×2	
Synchronization	Hardware trigger, software trigger	
Acquisition Control	Continuous, Software trigger, Hardware trigger	
Reverse X/Y	Reverse X/Y	
I/O Interface	1 input and 1 output with opto-isolated, 1 programmable GPIO	
Data Interface	GigE	GigE PoE
Power Supply	12VDC-10% ~ 24VDC+10% supplied via the camera's Hirose connector PoE is optional (Power over Ethernet, IEEE802.3af compliant)	
Typical Power	3.89 W @ 12VDC	3.89 W @ 12VDC, 4.25 W @ PoE
Operating Temp.	0°C ~ +45°C	
Storage Temp.	-20°C ~ +70°C	
Operating Humidity	10% ~ 80%	
Lens Mount	C / CS	
Dimensions	No PoE: 29(W) × 29(H) × 29(L) mm (without lens adapter or connectors) PoE: 29(W) × 29(H) × 40.3(L) mm (without lens adapter or connectors)	
Weight	No PoE: 65 g; PoE: 75 g	
Software	CKVisionBuilder or third-party software meeting with GigE Vision Protocol	
OS	32bit / 64bit Windows, Linux, Mac OS	



Technical Drawing



Size A No PoE



Size B PoE

