

CK-RNE2-160MU-249GS-HS-6P

1.6 MP CMOS USB3.0 Area Scan Camera

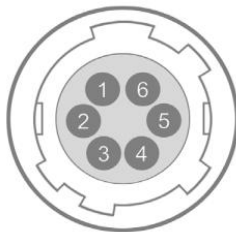
Features

- Trigger mode: Frame Start /Frame Burst Start
- Two exposure time modes: Standard exposure time mode / UltraShort exposure time mode
- Decimation, Binning, Digital Shift, Black Level and Sensor Bit Depth
- Adjustable Gamma for optimizing the brightness of images
- Color models support Light Source Preset, Color Transformation Control and Saturation
- Monochrome models support Noise Reduction and Sharpness
- Programmable LUTs and User Set Control
- Support Timer and Counter
- Support Remove Parameter Limit to expand the range of exposure, gain and so on
- 16KB data storage area for saving algorithm coefficients and parameter configuration

Applications

Suitable for machine vision applications such as industrial inspection, medical, scientific research, education and so on.

I/O Interface



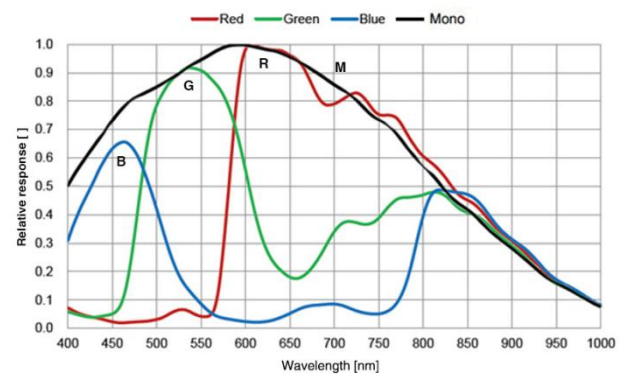
Pin	Definition	Description
1	NC	NC
2	Line0+	Opto-isolated input +
3	Line2	GPIO input/output
4	Line1+	Opto-isolated output +
5	Line0-/Line1-	Line0-: Opto-isolated input -; Line1-: Opto-isolated output -
6	GND	GPIO GND

Models

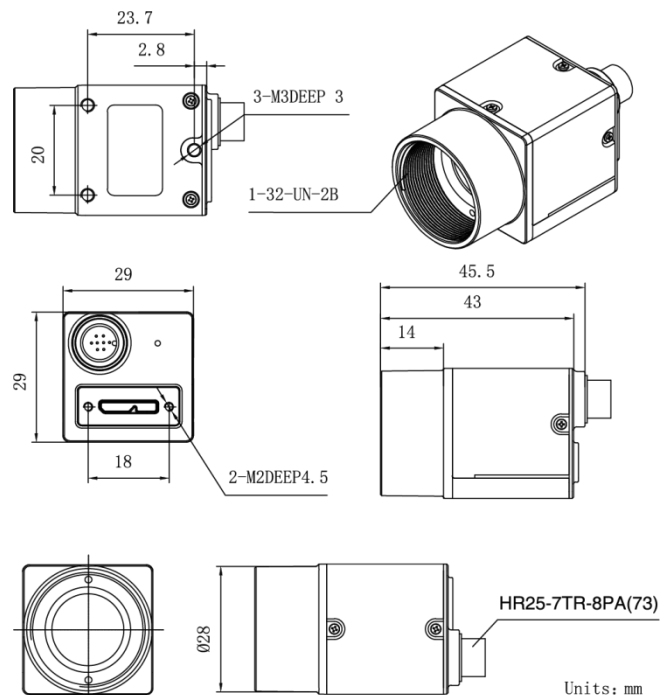
Mono: CK-RNE2-160MU-249GS-HS-6P
Color: CK-RNE2-160CU-249GS-HS-6P



Spectral Response



Technical Drawing



Specifications

Model	CK-RNE2-160CU-249GS-HS-6P	CK-RNE2-160MU-249GS-HS-6P
Resolution	1440(H) × 1080(V)	
Sensor	Sony IMX273 Global shutter CMOS	
Sensor Format	1/2.9"	
Pixel Size	3.45μm × 3.45μm	
Frame Rate	249.2 fps	
ADC	8 bit, 10 bit, 12 bit	
Pixel Bit Depth	8 bit, 10 bit, 12 bit	
Mono/Color	Color	Mono
Pixel Formats	Bayer RG8 / Bayer RG10 / Bayer RG12	Mono8 / Mono10 / Mono12
SNR	40.5 dB	40.5 dB
Exposure Time	UUltraShort: 1μs~100μs, Actual Steps: 1 μs; Standard: 20μs ~ 1s, Actual Steps: 1 row period	
Gain	0dB ~ 24dB; Default: 0dB, Steps: 0.1dB	
Binning	1×1, 1×2, 1×4, 2×1, 2×2, 2×4, 4×1, 4×2, 4×4	
Decimation	Sensor: 1×1, 2×2	
Synchronization	Hardware trigger , software trigger	
Acquisition Mode	Single frame, Continuous, Software trigger, Hardware trigger	
Reverse X/Y	Reverse X/Y	
I/O Interface	1 input and 1 output with opto-isolated, 1 programmable GPIOs	
Data Interface	USB3.0	
Power Supply	Power through USB3.0 interface	
Typical Power	2.33 W @ 5 VDC	
Operating Temp.	0° C ~ +45° C	
Storage Temp.	-20 ° C~ +70° C	
Operating Humidity	10% ~ 80%	
Lens Mount	C / CS	
Dimensions	29(W) × 29(H) × 45.5(L) mm	
Weight	65 g	
Software	CKVisionBuilder or support USB3 Vision protocol software	
OS	32bit / 64bit Windows , Linux , Android , ARMv7 , ARMv8	

