

CK-RNE2-2001MI-6RS

20 MP CMOS GigE Area Scan Camera



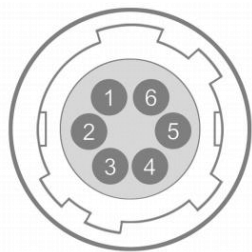
Features

- Trigger mode: Frame Start /Frame Burst Start
- Support Gamma, Binning, Digital Shift, Black Level
- Timer, Counter, LUTs and User Set Control
- Support Remove Parameter Limit to expand the range of exposure, gain, and so on
- 16KB data storage area for saving algorithm coefficients and parameter configuration

Applications

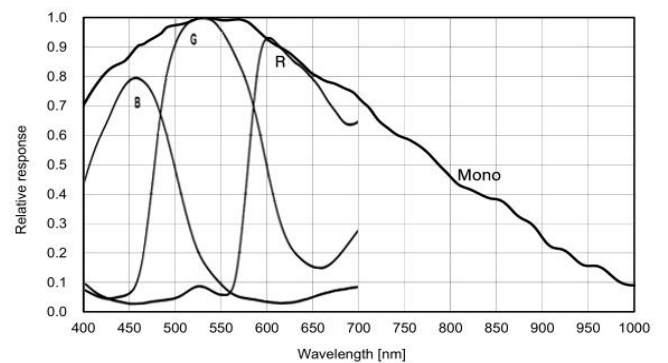
Suitable for machine vision applications such as industrial inspection, medical, scientific research, education and so on.

I/O Interface



Pin	Definition	Description
1	POWER_IN	Camera external power, +12V DC~+24V DC
2	Line0+	Opto-isolated input +
3	Line2	GPIO input/output
4	Line1+	Opto-isolated output +
5	Line0-/Line1-	Line0-: Opto-isolated input - Line1-: Opto-isolated output -
6	GND	PWR GND & GPIO GND

Spectral Response



Models

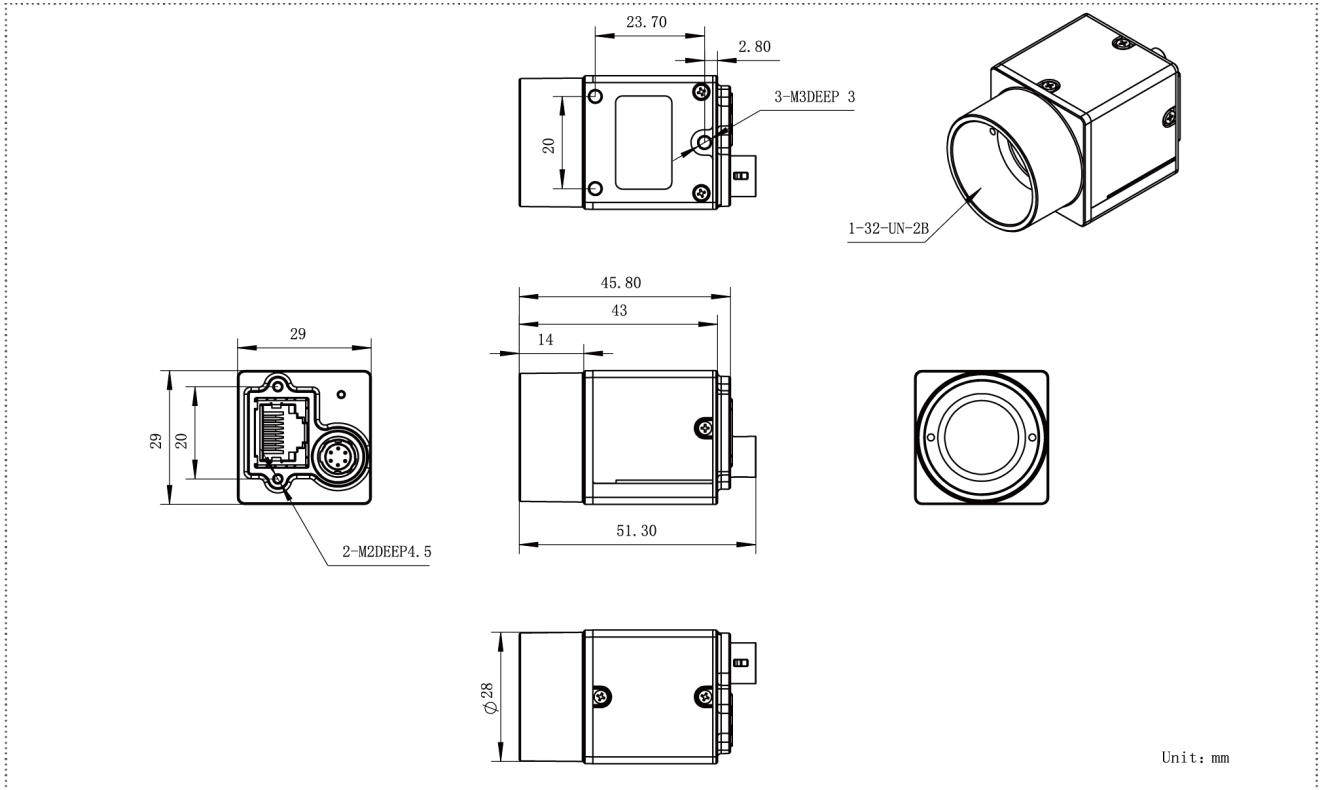
Mono: CK-RNE2-2001MI-6RS

Specifications

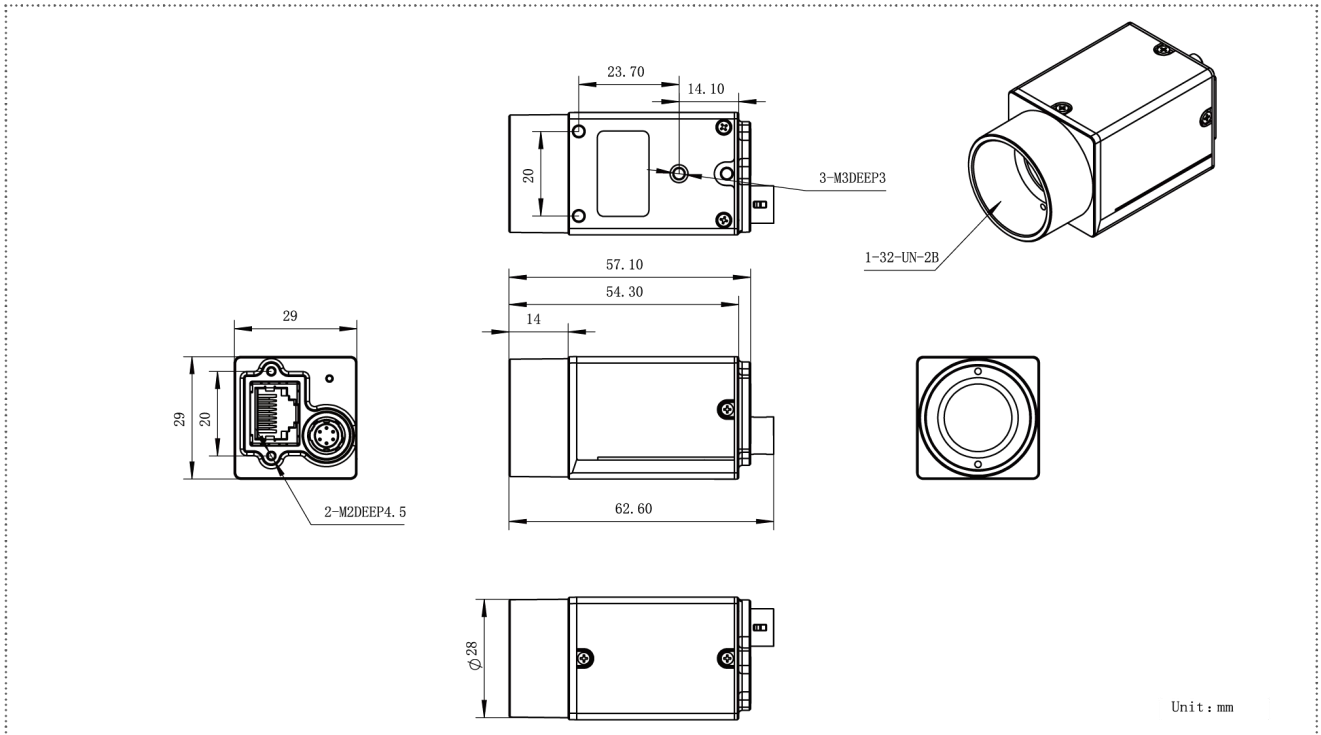
Model	CK-RNE2-2001MI-6RS	
Resolution	5496(H) × 3672(V)	
Sensor	Sony IMX183 Rolling shutter CMOS	
Sensor Format	1"	
Pixel Size	2.4μm × 2.4μm	
Frame Rate	5.8 fps	
ADC	12 bit	
Pixel Bit Depth	8 bit, 12 bit	
Mono/Color	Mono	
Pixel Formats	Mono8 / Mono12	
SNR	41.16 dB	41.04 dB
Exposure Time	Standard: 31μs ~ 1s, Actual Steps: 1 row period	
Gain	0dB ~ 24dB; Default: 0dB, Steps: 0.1dB	
Binning	Sensor: 1×1, 2×2	
Decimation	—	
Synchronization	Hardware trigger, software trigger	
Acquisition Control	Single frame, Continuous, Software trigger, Hardware trigger	
Reverse X/Y	Reverse X/Y	
I/O Interface	1 input and 1 output with opto-isolated, 1 programmable GPIO	
Data Interface	GigE	GigE PoE
Power Supply	12VDC-10% ~ 24VDC+10% supplied via the camera's Hirose connector PoE is optional (Power over Ethernet, IEEE802.3af compliant)	
Typical Power	2.49W @ 12VDC	2.49W @ 12VDC 2.73W @ PoE
Operating Temp.	0°C ~ +45°C	
Storage Temp.	-20°C ~ +70°C	
Operating Humidity	10% ~ 80%	
Lens Mount	C / CS	
Dimensions	No PoE: 29(W) × 29(H) × 29(L) mm (without lens adapter or connectors) PoE: 29(W) × 29(H) × 40.3(L) mm (without lens adapter or connectors)	
Weight	No PoE: 65 g; PoE: 75 g	
Software	CKVisionBuilder or third-party software meeting with GigE Vision Protocol	
OS	32bit / 64bit Windows, Linux, Mac OS	



Technical Drawing



Size A No PoE



Size B PoE

