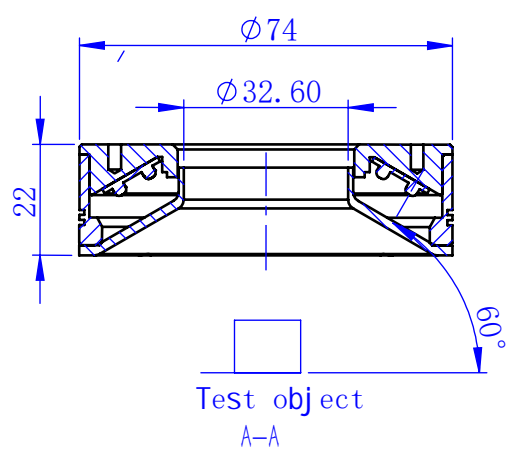


D

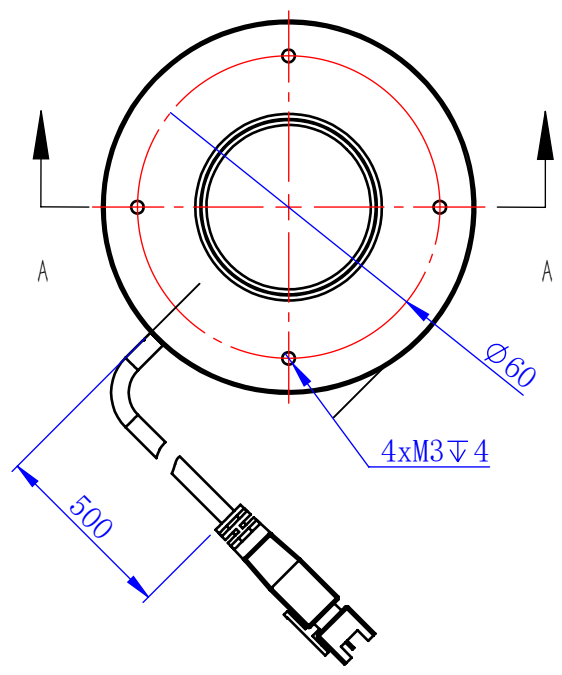
D



Test object  
A-A

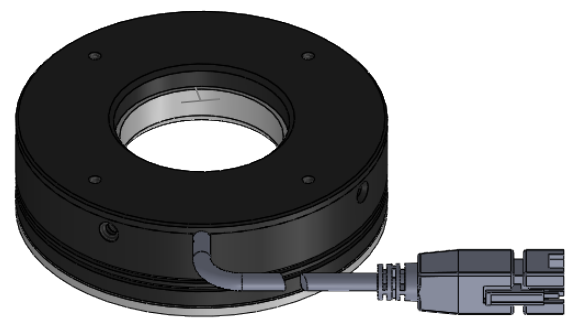
C

C



B

B



A

A